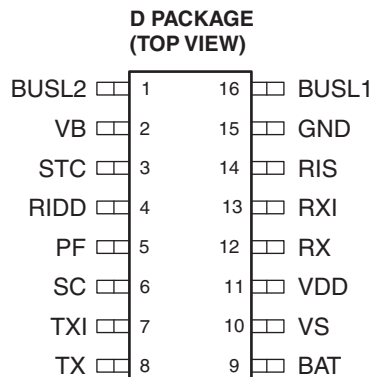


METER-BUS TRANSCEIVER

 Check for Samples: [TSS721A](#)

FEATURES

- **Meter-Bus Transceiver (for Slave) Meets Standard EN1434-3**
- **Receiver Logic With Dynamic Level Recognition**
- **Adjustable Constant-Current Sink via Resistor**
- **Polarity Independent**
- **Power-Fail Function**
- **Module Supply Voltage Switch**
- **3.3-V Constant Voltage Source**
- **Remote Powering**
- **Up to 9600 Baud in Half Duplex for UART Protocol**
- **Slave Power Support**
 - Supply From Meter-Bus via Output VDD
 - Supply From Meter-Bus via Output VDD or From Backup Battery
 - Supply From Battery – Meter-Bus Active for Data Transmission Only



DESCRIPTION

TSS721A is a single chip transceiver developed for Meter-Bus standard (EN1434-3) applications.

The TSS721A interface circuit adjusts the different potentials between a slave system and the Meter-Bus master. The connection to the bus is polarity independent and supports full galvanic slave isolation with optocouplers.

The circuit is supplied by the master via the bus. Therefore, this circuit offers no additional load for the slave battery. A power-fail function is integrated.

The receiver has dynamic level recognition, and the transmitter has a programmable current sink.

A 3.3-V voltage regulator, with power reserve for a delayed switch off at bus fault, is integrated.

Table 1. ORDERING INFORMATION⁽¹⁾⁽²⁾

T _A	PACKAGE		ORDERABLE PART NUMBER
0°C to 70°C	SOIC – D	Reel of 2500	TSS721ADR

(1) For the most current package and ordering information, see the Package Option Addendum at the end of this document, or see the TI web site at www.ti.com.

(2) Package drawings, thermal data, and symbolization are available at www.ti.com/packaging.



Please be aware that an important notice concerning availability, standard warranty, and use in critical applications of Texas Instruments semiconductor products and disclaimers thereto appears at the end of this data sheet.

FUNCTIONAL DESCRIPTION

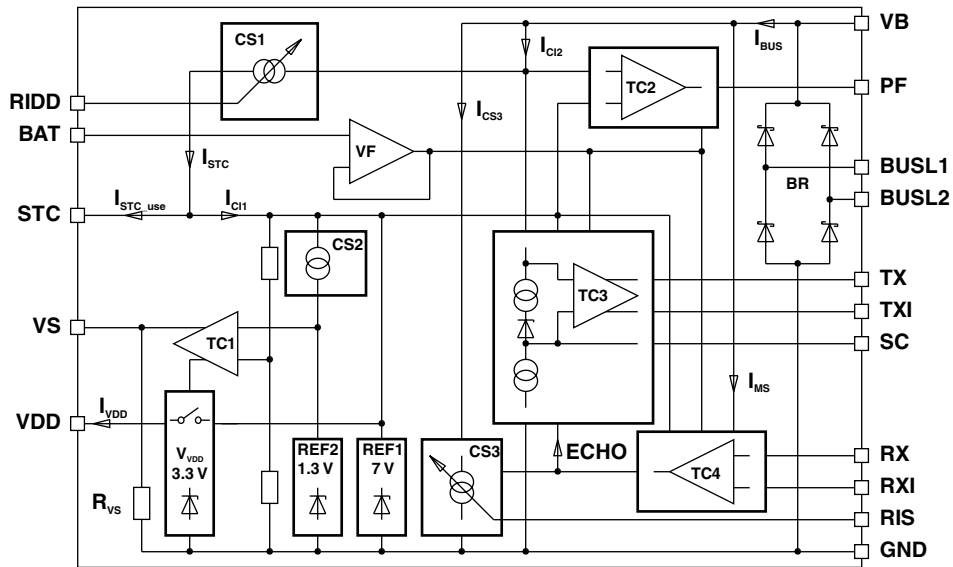


Figure 1. Functional Schematic

Table 2. Terminal Functions

TERMINAL		DESCRIPTION
NAME	NO.	
BUSL2	1	Meter-Bus
VB	2	Differential bus voltage after rectifier
STC	3	Support capacitor
RIDD	4	Current adjustment input
PF	5	Power fail output
SC	6	Sampling capacitor
TXI	7	Data output inverted
TX	8	Data output
BAT	9	Logic level adjust
VS	10	Switch for bus or battery supply output
VDD	11	Voltage regulator output
RX	12	Data input
RXI	13	Data input inverted
RIS	14	Adjust input for modulation current
GND	15	Ground
BUSL1	16	Meter-Bus

Data Transmission, Master to Slave

The mark level on the bus lines $V_{BUS} = \text{MARK}$ is defined by the difference of BUSL1 and BUSL2 at the slave. It is dependent on the distance of Master to Slave, which affects the voltage drop on the wire. To make the receiver independent, a dynamic reference level on the SC pin is used for the voltage comparator TC3 (see Figure 2).

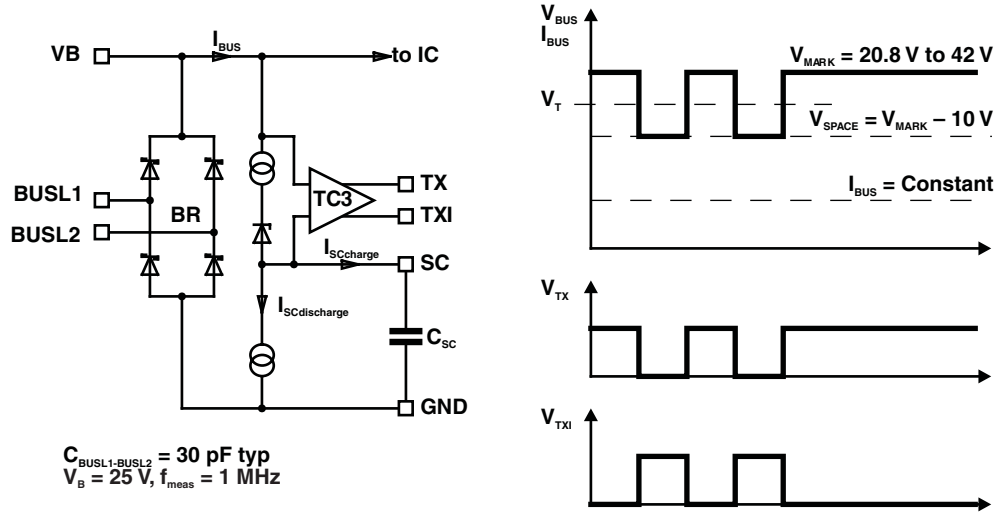


Figure 2. Data Transmission, Master to Slave

A capacitor C_{SC} at pin SC is charged by a current $I_{SC\text{charge}}$ and is discharged with a current $I_{SC\text{discharge}}$ where:

$$I_{SC\text{discharge}} = \frac{I_{SC\text{charge}}}{40 \text{ (typ)}} \quad (1)$$

This ratio is necessary to run any kind of UART protocol independent of the data contents. (for example, if an 11-bit UART protocol is transmitted with all data bits at 0 and only the stop bit at 1). There must be sufficient time to recharge the capacitor C_{SC} . The input level detector TC3 detects voltage modulations from the master, $V_{BUS} = \text{SPACE/MARK}$ conditions, and switches the inverted output TXI and the non-inverted output TX.

Data Transmission, Slave to Master

The device uses current modulation to transmit information from the slave to the master while the bus voltage remains constant. The current source CS3 modulates the bus current and the master detects the modulation. The constant current source CS3 is controlled by the inverted input RXI or the non-inverted input RX. The current source CS3 can be programmed by an external resistor R_{RIS} . The modulation supply current I_{MS} flows in addition to the current source CS3 during the modulation time.

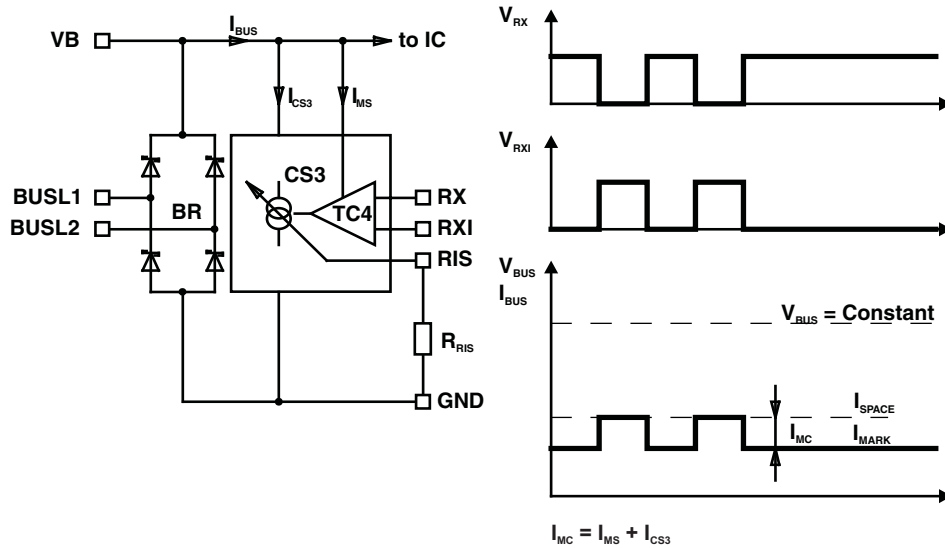


Figure 3. Data Transmission, Slave to Master

Because the TSS721A is configured for half-duplex only, the current modulation from RX or RXI is repeated concurrently as ECHO on the outputs TX and TXI. If the slave, as well as the master, is trying to send information via the lines, the added signals appear on the outputs TX and TXI, which indicates the data collision to the slave (see Figure 1).

The bus topology requires a constant current consumption by each connected slave.

To calculate the value of the programming resistor R_{RIS} , use the formula shown in Figure 4.

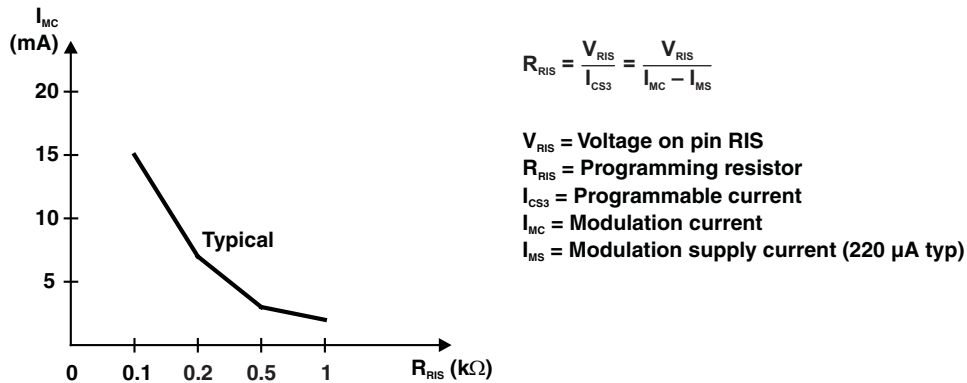


Figure 4. Calculate Programming Resistor R_{RIS}

Slave Supply, 3.3 V

The TSS721A has an internal 3.3-V voltage regulator. The output power of this voltage regulator is supplied by the storage capacitor C_{STC} at pin STC. The storage capacitor C_{STC} at pin STC is charged with constant current I_{STC_use} from the current source CS1. The maximum capacitor voltage is limited to REF1. The charge current I_{STC} has to be defined by an external resistor at pin RIDD.

The adjustment resistor R_{RIDD} can be calculated using [Equation 2](#).

$$R_{RID} = 25 \frac{V_{RIDD}}{I_{STC}} = 25 \frac{V_{RIDD}}{I_{STC_use} + I_{IC1}} \quad (2)$$

Where,

- I_{STC} = current from current source CS1
- I_{STC_use} = charge current for support capacitor
- I_{IC1} = internal current
- V_{RIDD} = voltage on pin RIDD
- R_{RIDD} = value of adjustment resistor

The voltage level of the storage capacitor C_{STC} is monitored with comparator TC1. Once the voltage V_{STC} reaches V_{VDD_on} , the switch S_{VDD} connects the stabilized voltage V_{VDD} to pin VDD. VDD is turned off if the voltage V_{STC} drops below the V_{VDD_off} level.

Voltage variations on the capacitor C_{STC} create bus current changes (see [Figure 5](#)).

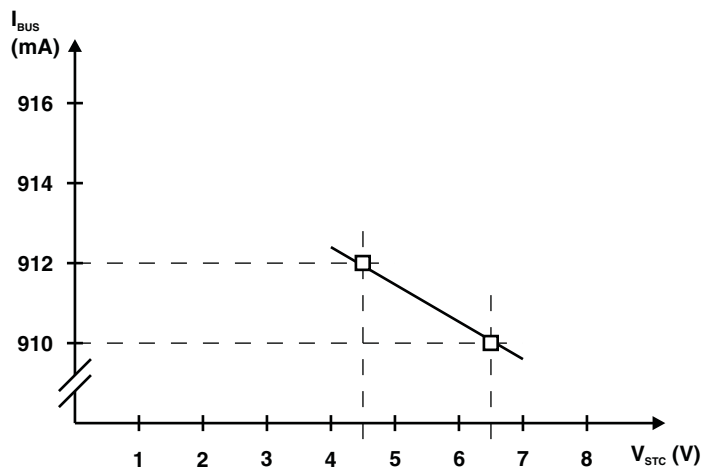


Figure 5. Single Mode Bus Load

At a bus fault the shut down time of VDD (t_{off}) in which data storage can be performed depends on the system current I_{VDD} and the value of capacitor C_{STC} . See [Figure 6](#), which shows a correlation between the shutdown of the bus voltage V_{BUS} and V_{DD_off} and t_{off} for dimensioning the capacitor.

The output VS is meant for slave systems that are driven by the bus energy, as well as from a battery should the bus line voltage fail. The switching of VS is synchronized with VDD and is controlled by the comparator TC1. An external transistor at the output VS allows switching from the Meter-Bus remote supply to battery.

Power On/Off

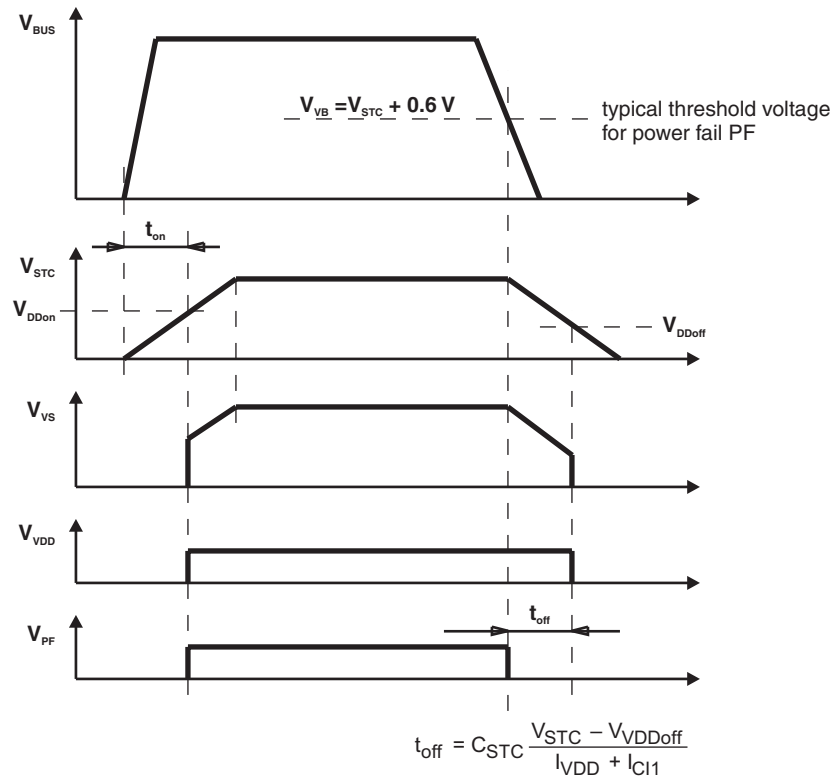


Figure 6. Power On/Off Timing

Power Fail Function

Because of the rectifier bridge BR at the input, BUSL1, and BUSL2, the TSS721A is polarity independent. The pin VB to ground (GND) delivers the bus voltage V_{VB} less the voltage drop over the rectifier BR. The voltage comparator TC2 monitors the bus voltage. If the voltage $V_{VB} > V_{STC} + 0.6\text{ V}$, then the output PF = 1. The output level PF = 0 (power fail) provides a warning of a critical voltage drop to the microcontroller to save the data immediately.

ABSOLUTE MAXIMUM RATINGS

over operating free-air temperature range (unless otherwise noted)

V_{MB}	Voltage, BUSL1 to BUSL2		± 50 V
V_I	Input voltage range	RX and RXI	-0.3 V to 5.5 V
		BAT	-0.3 V to 5.5 V
T_J	Operating junction temperature range		-25°C to 150°C
T_A	Operating free-air temperature range		-25°C to 85°C
T_{STG}	Storage temperature range		-65°C to 150°C
	Power derating factor, junction to ambient		8 mW/°C

RECOMMENDED OPERATING CONDITIONS⁽¹⁾

		MIN	MAX	UNIT	
V_{MB}	Bus voltage, BUSL2 – BUSL1	Receiver	10.8	42	V
		Transmitter	12	42	
V_I	Input voltage	VB (receive mode)	9.3		V
		BAT ⁽²⁾	2.5	3.8	
R_{RIDD}	RIDD resistor	13	80	k Ω	
R_{RIS}	RIS resistor	100		Ω	
T_A	Operating free-air temperature	-25	85	°C	

(1) All voltage values are measured with respect to the GND terminal unless otherwise noted.

 (2) $V_{BAT(max)} \leq V_{STC} - 1$ V

ELECTRICAL CHARACTERISTICS⁽¹⁾

over operating free-air temperature range (unless otherwise noted)

PARAMETER	TEST CONDITIONS	MIN	TYP	MAX	UNIT
ΔV_{BR}	Voltage drop at rectifier BR $I_{BUS} = 3$ mA			1.5	V
ΔV_{CS1}	Voltage drop at current source CS1 $R_{RIDD} = 13$ k Ω			1.8	V
I_{BUS}	BUS current $V_{STC} = 6.5$ V, $I_{MC} = 0$ mA	$R_{RIDD} = 13$ k Ω		3	mA
		$R_{RIDD} = 30$ k Ω		1.5	
ΔI_{BUS}	BUS current accuracy $\Delta V_{BUS} = 10$ V, $I_{MC} = 0$ mA, $R_{RIDD} = 13$ k Ω to 30 k Ω			2	%
I_{CC}	Supply current $V_{STC} = 6.5$ V, $I_{MC} = 0$ mA, $V_{BAT} = 3.8$ V, $R_{RIDD} = 13$ k Ω ⁽²⁾			650	μ A
I_{CI1}	CI1 current $V_{STC} = 6.5$ V, $I_{MC} = 0$ mA, $V_{BAT} = 3.8$ V, $R_{RIDD} = 13$ k Ω , $V_{BUS} = 6.5$ V, RX/RXI = off ⁽²⁾			350	μ A
I_{BAT}	BAT current	-0.5		0.5	μ A
$I_{BAT} + I_{VDD}$	BAT plus VDD current $V_{BUS} = 0$ V, $V_{STC} = 0$ V	-0.5		0.5	μ A
V_{VDD}	VDD voltage $-I_{VDD} = 1$ mA, $V_{STC} = 6.5$ V	3.1		3.4	V
R_{VDD}	VDD resistance $-I_{VDD} = 2$ to 8 mA, $V_{STC} = 4.5$ V			5	Ω
V_{STC}	STC voltage $V_{DD} = \text{on}$, $V_S = \text{on}$		5.6	6.4	V
		$V_{DD} = \text{off}$, $V_S = \text{off}$	3.8	4.3	
		$I_{VDD} < I_{STC_use}$	6.5	7.5	
I_{STC_use}	STC current $V_{STC} = 5$ V	$R_{RIDD} = 30$ k Ω	0.65	1.1	mA
		$R_{RIDD} = 13$ k Ω	1.85	2.4	
V_{RIDD}	RIDD voltage $R_{RIDD} = 30$ k Ω	1.23		1.33	V
V_{VS}	VS voltage $V_{DD} = \text{on}$, $I_{VS} = -5$ μ A	$V_{STC} - 0.4$		V_{STC}	V
R_{VS}	VS resistance $V_{DD} = \text{off}$	0.3		1	M Ω
V_{PF}	PF voltage $V_{STC} = 6.5$ V	$V_{VB} = V_{STC} + 0.8$ V, $I_{PF} = -100$ μ A	$V_{BAT} - 0.6$	V_{BAT}	V
		$V_{VB} = V_{STC} + 0.3$ V, $I_{PF} = 1$ μ A	0	0.6	
		$V_{VB} = V_{STC} + 0.3$ V, $I_{PF} = 5$ μ A	0	0.9	

(1) All voltage values are measured with respect to the GND terminal, unless otherwise noted.

 (2) Inputs RX/RXI and outputs TX/TXI are open, $I_{CC} = I_{CI1} + I_{CI2}$

ELECTRICAL CHARACTERISTICS⁽¹⁾ (continued)

over operating free-air temperature range (unless otherwise noted)

PARAMETER	TEST CONDITIONS	MIN	TYP	MAX	UNIT
t_{on} Turn-on time	$C_{STC} = 50 \mu\text{F}$, Bus voltage slew rate: 1 V/ μs			3	s

RECEIVER SECTION ELECTRICAL CHARACTERISTICS⁽¹⁾

over operating free-air temperature range (unless otherwise noted)

PARAMETER	TEST CONDITIONS	MIN	TYP	MAX	UNIT
V_T	See Figure 2	MARK – 8.2		MARK – 5.7	V
V_{SC} SC voltage				V_{VB}	V
$I_{SCcharge}$ SC charge current	$V_{SC} = 24 \text{ V}$, $V_{VB} = 36 \text{ V}$	–15		–40	μA
$I_{SCdischarge}$ SC discharge current	$V_{SC} = V_{VB} = 24 \text{ V}$	0.3		$-0.033 \times I_{SCcharge}$	μA
V_{OH} High-level output voltage (TX, TXI)	$I_{TX}/I_{TXI} = -100 \mu\text{A}$ (see Figure 2)	$V_{BAT} - 0.6$		V_{BAT}	V
V_{OL} Low-level output voltage (TX, TXI)	$I_{TX}/I_{TXI} = 100 \mu\text{A}$	0		0.5	V
	$I_{TX} = 1.1 \text{ mA}$	0		1.5	V
I_{TX} I_{TXI} TX, TXI current	$V_{TX} = 7.5$, $V_{VB} = 12 \text{ V}$, $V_{STC} = 6 \text{ V}$, $V_{BAT} = 3.8 \text{ V}$			10	μA

(1) All voltage values are measured with respect to the GND terminal, unless otherwise noted.

TRANSMITTER SECTION ELECTRICAL CHARACTERISTICS⁽¹⁾

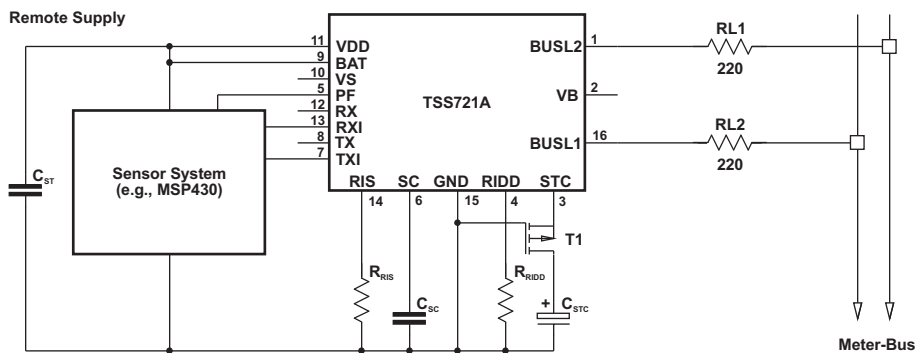
over operating free-air temperature range (unless otherwise noted)

PARAMETER	TEST CONDITIONS	MIN	TYP	MAX	UNIT
I_{MC} MC voltage	$R_{RIS} = 100 \Omega$	11.5		19.5	mA
V_{RIS} RIS voltage	$R_{RIS} = 100 \Omega$	1.4		1.7	V
	$R_{RIS} = 1000 \Omega$	1.5		1.8	V
V_{IH} High-level input voltage (RX, RXI)	See Figure 3 , see ⁽²⁾	$V_{BAT} - 0.8$		5.5	V
V_{IL} Low-level input voltage (RX, RXI)	See Figure 3	0		0.8	V
I_{RX} RX current	$V_{RX} = V_{BAT} = 3 \text{ V}$, $V_{VB} = V_{STC} = 0 \text{ V}$	–0.5		0.5	μA
	$V_{RX} = 0 \text{ V}$, $V_{BAT} = 3 \text{ V}$, $V_{STC} = 6.5 \text{ V}$	–10		–40	μA
I_{RXI} RXI current	$V_{RXI} = V_{BAT} = 3 \text{ V}$, $V_{VB} = V_{STC} = 0 \text{ V}$	10		40	μA
	$V_{RXI} = V_{BAT} = 3 \text{ V}$, $V_{STC} = 6.5 \text{ V}$	10		40	μA

(1) All voltage values are measured with respect to the GND terminal, unless otherwise noted.

(2) $V_{IH}(\text{max}) = 5.5 \text{ V}$ is valid only when $V_{STC} > 6.5 \text{ V}$.

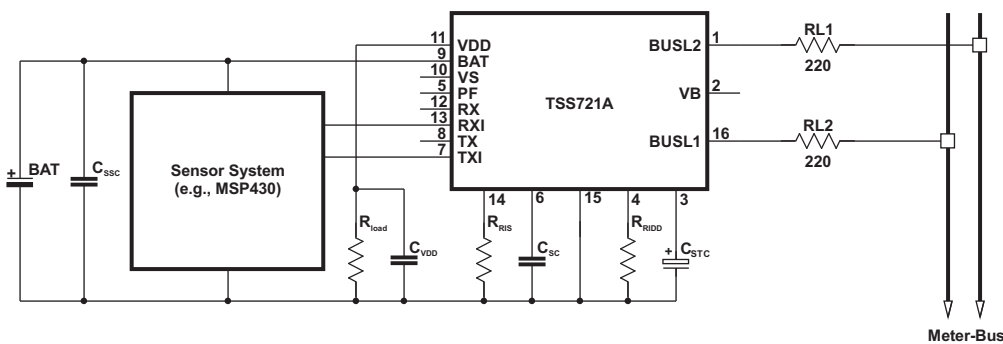
APPLICATION INFORMATION



$R_{RIDD} = 30\text{ k}\Omega$	$C_{STC} \leq 220\text{ }\mu\text{F}$	single load 1UL
$R_{RIDD} = 13\text{ k}\Omega$	$C_{STC} \leq 470\text{ }\mu\text{F}$	double load 2UL

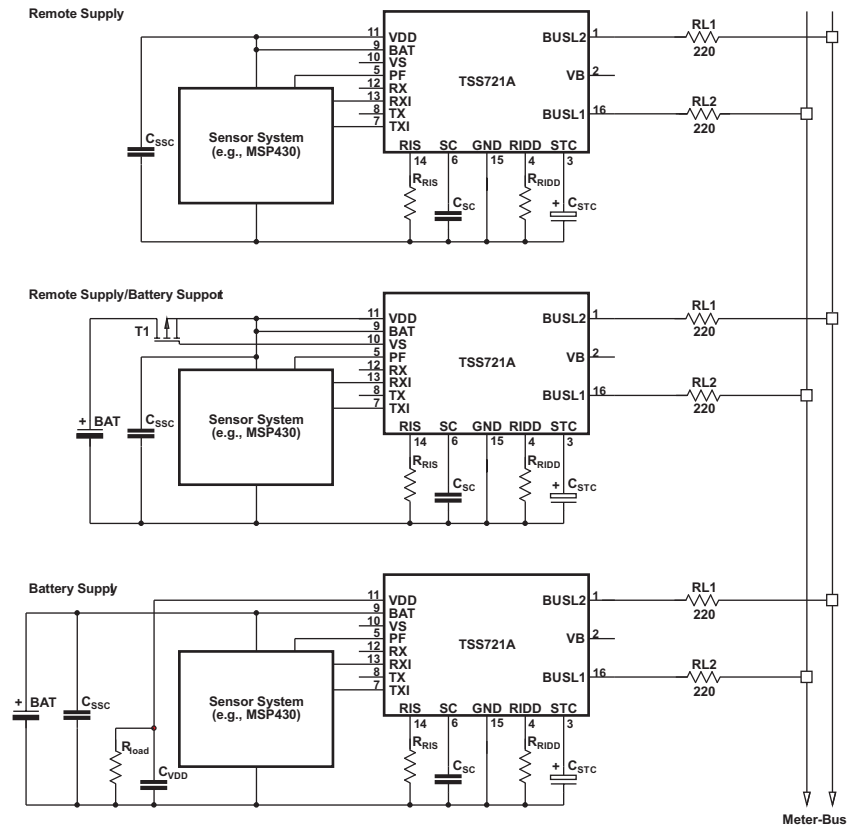
NOTE: Transistor T1 should be a BSS84.

Figure 7. Basic Application Circuit Using Support Capacitor $C_{STC} > 50\text{ }\mu\text{F}$



- C_{SSC} - system stabilising capacitor
- C_{STC} - support capacitor
- C_{SC} - sampling capacitor
- C_{VDD} - stabilising capacitor (100 nF)
- $C_{STC}:C_{VDD} \geq 4:1$
- R_{RIDD} - slave-current adjustment resistor
- R_{RIS} - modulation-current resistor
- RL1, RL2 - protection resistors
- R_{load} - discharge resistor (100 kΩ recommended)

Figure 8. Basic Application Circuit for Supply From Battery



NOTE: R_{DSon} of the transistor T1 (BSS84) at low battery voltage must be considered during application design.

Figure 9. Basic Applications for Different Supply Modes

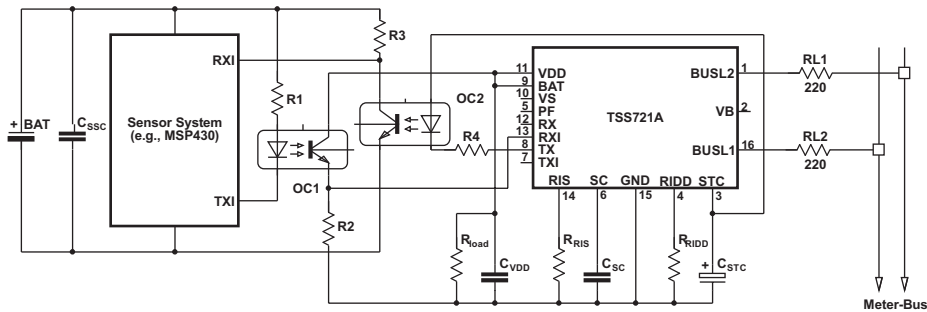


Figure 10. Basic Optocoupler Application

PACKAGING INFORMATION

Orderable Device	Status ⁽¹⁾	Package Type	Package Drawing	Pins	Package Qty	Eco Plan ⁽²⁾	Lead/ Ball Finish	MSL Peak Temp ⁽³⁾	Samples (Requires Login)
TSS721AD	NRND	SOIC	D	16	40	Green (RoHS & no Sb/Br)	CU NIPDAU	Level-1-260C-UNLIM	
TSS721ADR	NRND	SOIC	D	16	2500	Green (RoHS & no Sb/Br)	CU NIPDAU	Level-1-260C-UNLIM	

⁽¹⁾ The marketing status values are defined as follows:

ACTIVE: Product device recommended for new designs.

LIFEBUY: TI has announced that the device will be discontinued, and a lifetime-buy period is in effect.

NRND: Not recommended for new designs. Device is in production to support existing customers, but TI does not recommend using this part in a new design.

PREVIEW: Device has been announced but is not in production. Samples may or may not be available.

OBsolete: TI has discontinued the production of the device.

⁽²⁾ Eco Plan - The planned eco-friendly classification: Pb-Free (RoHS), Pb-Free (RoHS Exempt), or Green (RoHS & no Sb/Br) - please check <http://www.ti.com/productcontent> for the latest availability information and additional product content details.

TBD: The Pb-Free/Green conversion plan has not been defined.

Pb-Free (RoHS): TI's terms "Lead-Free" or "Pb-Free" mean semiconductor products that are compatible with the current RoHS requirements for all 6 substances, including the requirement that lead not exceed 0.1% by weight in homogeneous materials. Where designed to be soldered at high temperatures, TI Pb-Free products are suitable for use in specified lead-free processes.

Pb-Free (RoHS Exempt): This component has a RoHS exemption for either 1) lead-based flip-chip solder bumps used between the die and package, or 2) lead-based die adhesive used between the die and leadframe. The component is otherwise considered Pb-Free (RoHS compatible) as defined above.

Green (RoHS & no Sb/Br): TI defines "Green" to mean Pb-Free (RoHS compatible), and free of Bromine (Br) and Antimony (Sb) based flame retardants (Br or Sb do not exceed 0.1% by weight in homogeneous material)

⁽³⁾ MSL, Peak Temp. -- The Moisture Sensitivity Level rating according to the JEDEC industry standard classifications, and peak solder temperature.

Important Information and Disclaimer: The information provided on this page represents TI's knowledge and belief as of the date that it is provided. TI bases its knowledge and belief on information provided by third parties, and makes no representation or warranty as to the accuracy of such information. Efforts are underway to better integrate information from third parties. TI has taken and continues to take reasonable steps to provide representative and accurate information but may not have conducted destructive testing or chemical analysis on incoming materials and chemicals. TI and TI suppliers consider certain information to be proprietary, and thus CAS numbers and other limited information may not be available for release.

In no event shall TI's liability arising out of such information exceed the total purchase price of the TI part(s) at issue in this document sold by TI to Customer on an annual basis.

D (R-PDSO-G16)

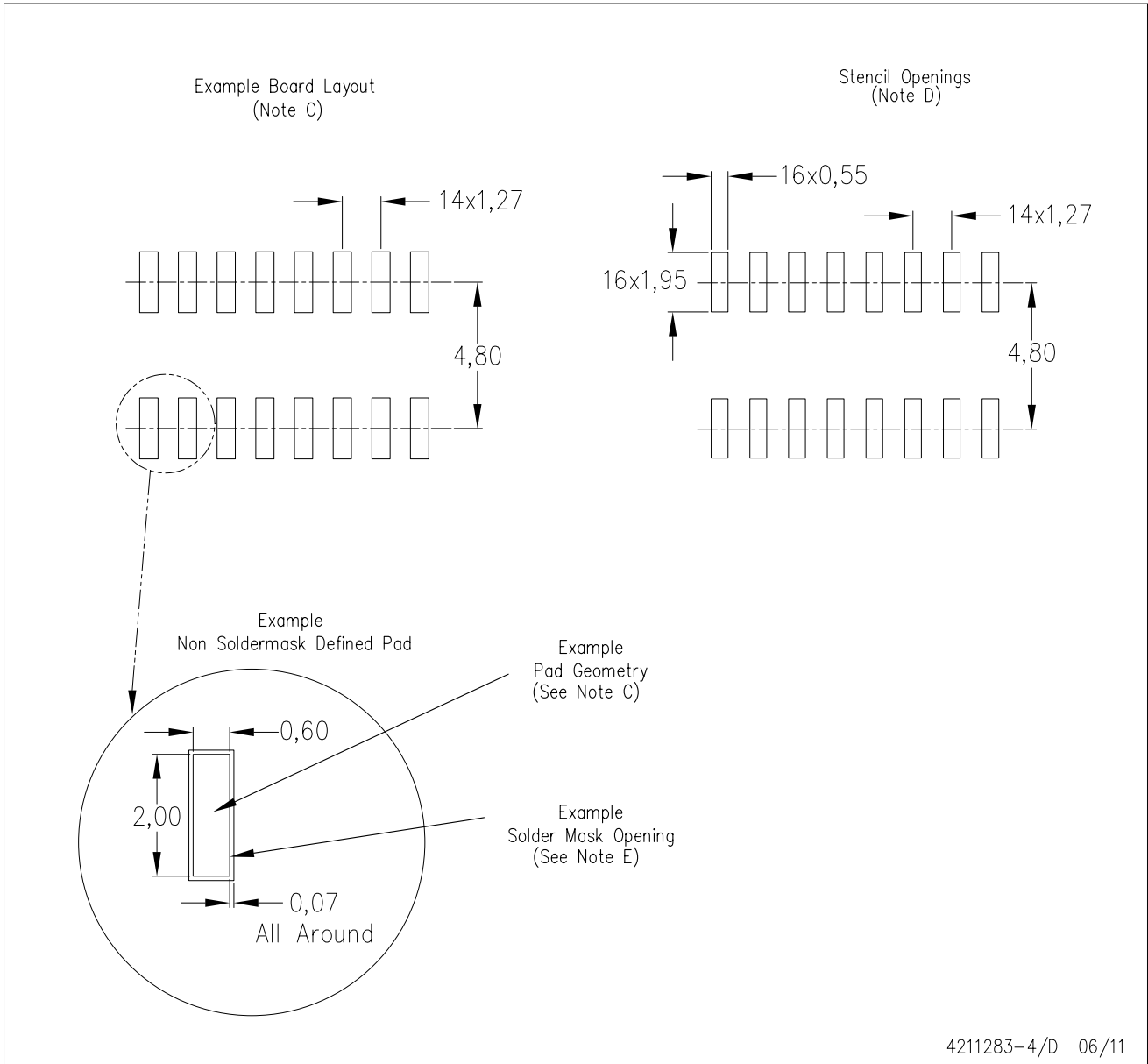
PLASTIC SMALL OUTLINE



- NOTES:
- A. All linear dimensions are in inches (millimeters).
 - B. This drawing is subject to change without notice.
 - C. Body length does not include mold flash, protrusions, or gate burrs. Mold flash, protrusions, or gate burrs shall not exceed 0.006 (0,15) each side.
 - D. Body width does not include interlead flash. Interlead flash shall not exceed 0.017 (0,43) each side.
 - E. Reference JEDEC MS-012 variation AC.

D (R-PDSO-G16)

PLASTIC SMALL OUTLINE



- NOTES:
- A. All linear dimensions are in millimeters.
 - B. This drawing is subject to change without notice.
 - C. Publication IPC-7351 is recommended for alternate designs.
 - D. Laser cutting apertures with trapezoidal walls and also rounding corners will offer better paste release. Customers should contact their board assembly site for stencil design recommendations. Refer to IPC-7525 for other stencil recommendations.
 - E. Customers should contact their board fabrication site for solder mask tolerances between and around signal pads.

IMPORTANT NOTICE

Texas Instruments Incorporated and its subsidiaries (TI) reserve the right to make corrections, modifications, enhancements, improvements, and other changes to its products and services at any time and to discontinue any product or service without notice. Customers should obtain the latest relevant information before placing orders and should verify that such information is current and complete. All products are sold subject to TI's terms and conditions of sale supplied at the time of order acknowledgment.

TI warrants performance of its hardware products to the specifications applicable at the time of sale in accordance with TI's standard warranty. Testing and other quality control techniques are used to the extent TI deems necessary to support this warranty. Except where mandated by government requirements, testing of all parameters of each product is not necessarily performed.

TI assumes no liability for applications assistance or customer product design. Customers are responsible for their products and applications using TI components. To minimize the risks associated with customer products and applications, customers should provide adequate design and operating safeguards.

TI does not warrant or represent that any license, either express or implied, is granted under any TI patent right, copyright, mask work right, or other TI intellectual property right relating to any combination, machine, or process in which TI products or services are used. Information published by TI regarding third-party products or services does not constitute a license from TI to use such products or services or a warranty or endorsement thereof. Use of such information may require a license from a third party under the patents or other intellectual property of the third party, or a license from TI under the patents or other intellectual property of TI.

Reproduction of TI information in TI data books or data sheets is permissible only if reproduction is without alteration and is accompanied by all associated warranties, conditions, limitations, and notices. Reproduction of this information with alteration is an unfair and deceptive business practice. TI is not responsible or liable for such altered documentation. Information of third parties may be subject to additional restrictions.

Resale of TI products or services with statements different from or beyond the parameters stated by TI for that product or service voids all express and any implied warranties for the associated TI product or service and is an unfair and deceptive business practice. TI is not responsible or liable for any such statements.

TI products are not authorized for use in safety-critical applications (such as life support) where a failure of the TI product would reasonably be expected to cause severe personal injury or death, unless officers of the parties have executed an agreement specifically governing such use. Buyers represent that they have all necessary expertise in the safety and regulatory ramifications of their applications, and acknowledge and agree that they are solely responsible for all legal, regulatory and safety-related requirements concerning their products and any use of TI products in such safety-critical applications, notwithstanding any applications-related information or support that may be provided by TI. Further, Buyers must fully indemnify TI and its representatives against any damages arising out of the use of TI products in such safety-critical applications.

TI products are neither designed nor intended for use in military/aerospace applications or environments unless the TI products are specifically designated by TI as military-grade or "enhanced plastic." Only products designated by TI as military-grade meet military specifications. Buyers acknowledge and agree that any such use of TI products which TI has not designated as military-grade is solely at the Buyer's risk, and that they are solely responsible for compliance with all legal and regulatory requirements in connection with such use.

TI products are neither designed nor intended for use in automotive applications or environments unless the specific TI products are designated by TI as compliant with ISO/TS 16949 requirements. Buyers acknowledge and agree that, if they use any non-designated products in automotive applications, TI will not be responsible for any failure to meet such requirements.

Following are URLs where you can obtain information on other Texas Instruments products and application solutions:

Products

Audio	www.ti.com/audio
Amplifiers	amplifier.ti.com
Data Converters	dataconverter.ti.com
DLP® Products	www.dlp.com
DSP	dsp.ti.com
Clocks and Timers	www.ti.com/clocks
Interface	interface.ti.com
Logic	logic.ti.com
Power Mgmt	power.ti.com
Microcontrollers	microcontroller.ti.com
RFID	www.ti-rfid.com
OMAP Mobile Processors	www.ti.com/omap
Wireless Connectivity	www.ti.com/wirelessconnectivity

Applications

Communications and Telecom	www.ti.com/communications
Computers and Peripherals	www.ti.com/computers
Consumer Electronics	www.ti.com/consumer-apps
Energy and Lighting	www.ti.com/energy
Industrial	www.ti.com/industrial
Medical	www.ti.com/medical
Security	www.ti.com/security
Space, Avionics and Defense	www.ti.com/space-avionics-defense
Transportation and Automotive	www.ti.com/automotive
Video and Imaging	www.ti.com/video

TI E2E Community Home Page

e2e.ti.com

Mailing Address: Texas Instruments, Post Office Box 655303, Dallas, Texas 75265
Copyright © 2011, Texas Instruments Incorporated